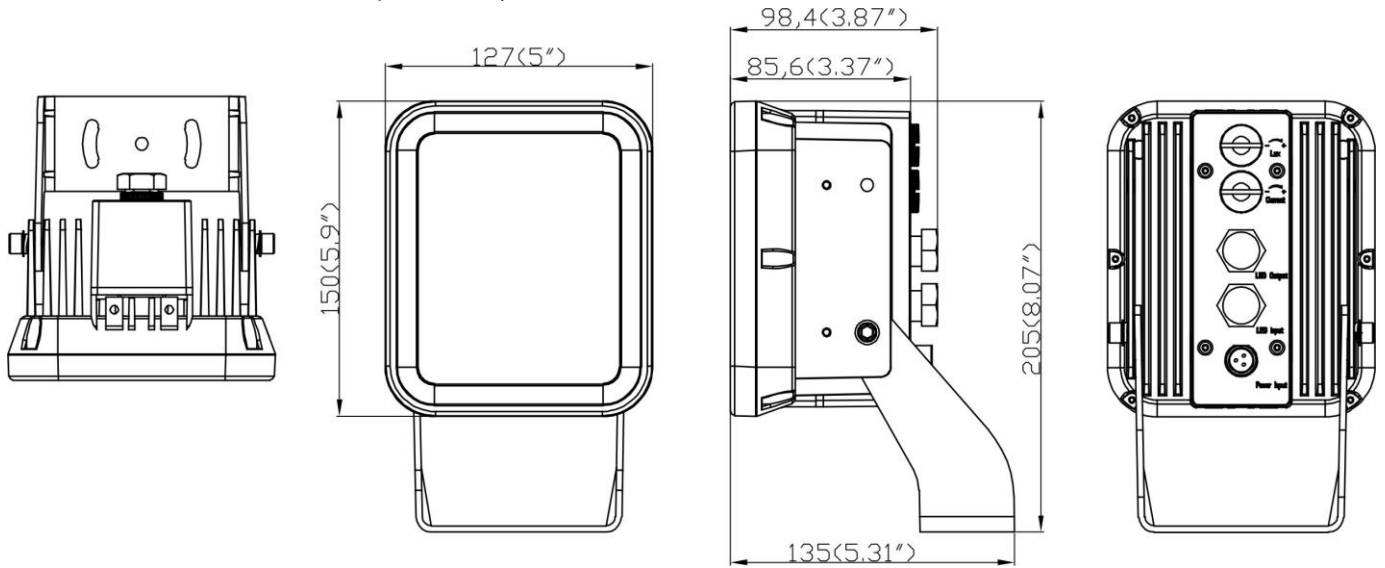


# Weatherproof IR Illuminator

● **Model No.:LIR-IG89 (1 Panel)**



● **Features**

1. High efficiency cooling structure aluminum case, IP66
2. 20pcs super high power IR LED
3. Adjustable IR intensity
4. IR angle: 30° (Outdoor)
5. IR distance: 200M (Outdoor)
6. Power supply: DC12V/AC24V
7. Indoor and outdoor use available
8. Dimension: ø205x127 x 135mm

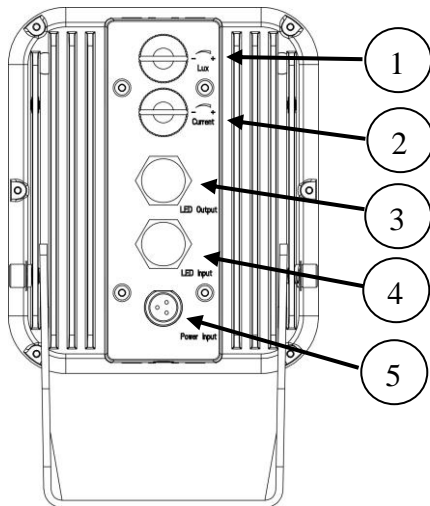
● **Specification**

Items	LIR-IG89
<b>IP Rating</b>	IP66(Outdoor)
<b>Wave Length</b>	850nm
<b>IR Projecting Angle</b>	30°(Outdoor)
<b>IR LED</b>	20pcs super high power IR LED
<b>Emissive Power</b>	42W
<b>Available IR Distance</b>	200M(Outdoor)
<b>Control</b>	CDS/Adjustable
<b>Power Supply</b>	DC12V±10%/AC24V±10%
<b>Current Consumption</b>	DC3000mA/ AC1850mA(Max)
<b>Dimension</b>	ø205x127 x 135mm
<b>Weight</b>	1640g
<b>Storage Temperature</b>	-30~+60°C
<b>Operating Temperature</b>	-30~+40°C

● **Accessories**

- |                            |    |                                       |    |
|----------------------------|----|---------------------------------------|----|
| 1. IR illuminator          | X1 | 6. Hexagonal Screw Driver             | X1 |
| 2. User Manual             | X1 | 7. Spring Pad                         | X2 |
| 3. 6*40 Self-tapping Screw | X3 | 8. 6*8 Hexagonal Screw                | X2 |
| 4. Plastic-Conical-Anchor  | X3 | 9. Power cable                        | X1 |
| 5. Fixing Bracket          | X1 | 10. Mounting Paper for Fixing Bracket | X1 |

● **Function**



**1. Working time of IR LED adjustable:**

LUX: If want to change the working time (working Lux) of IR Led, please open the cover at the back of the illuminator (As showed in the following picture), the IR LED working time can be adjusted.” – “refers to the IR LED will start working under the darker situation. “+” refers to the IR LED will start working under the brighter situation.

**2. IR intensity of IR LED adjustable:**

Current: If want to change the intensity of the IR light, please open the cover at the back of the illuminator (As showed in the following picture), the IR light intensity can be adjusted.

**3. LED Output:**

LED Output: when IR LED on, output is DC 0V. when IR LED off, it is DC 3V-3.3V.

**4. LED Input:**

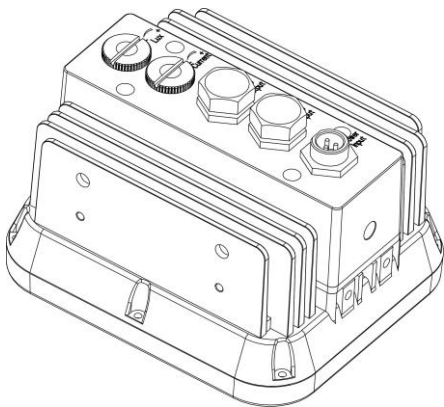
LED Input: when DC 0V input IR LED is on, when DC 3V-7.5V input it is off. And CDS of this illuminator who is connected with “LED input” does not work.

**5. Power Input**

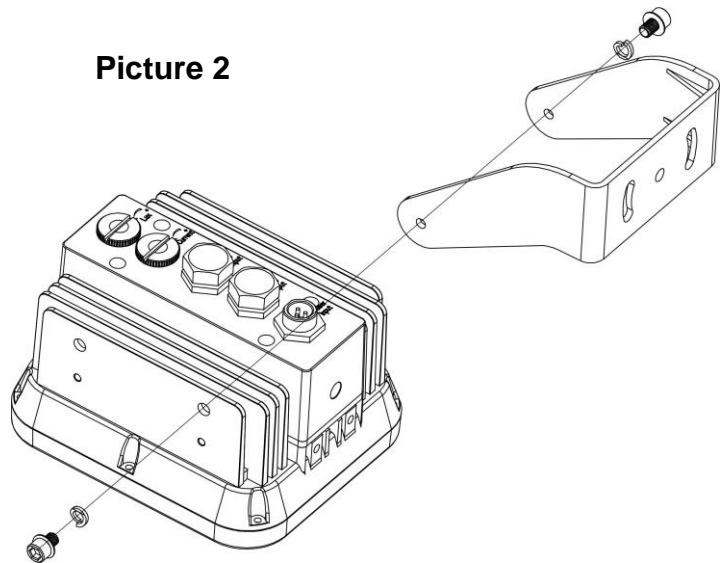
When use illuminator, connect the power cable with the power input jack of illuminator.

● **Instruction for Fixing Bracket:**

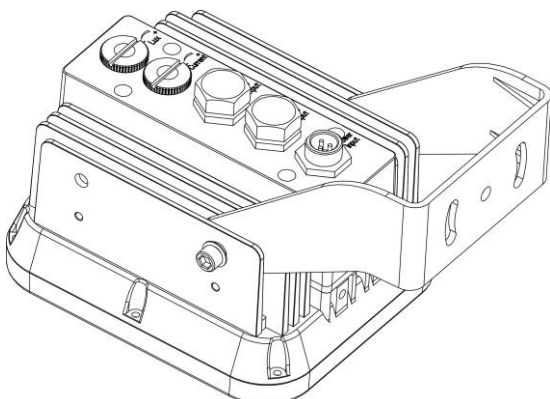
**Picture 1**



**Picture 2**



**Picture 3**



1. Take the illuminator out from the package (as Picture 1)
2. Fix the bracket on the illuminator with 2pcs Hexagonal Screws and small pads (as Picture 2)
3. Bracket fixing finished (as Picture 3)
4. Remove the film on the glass of illuminator.