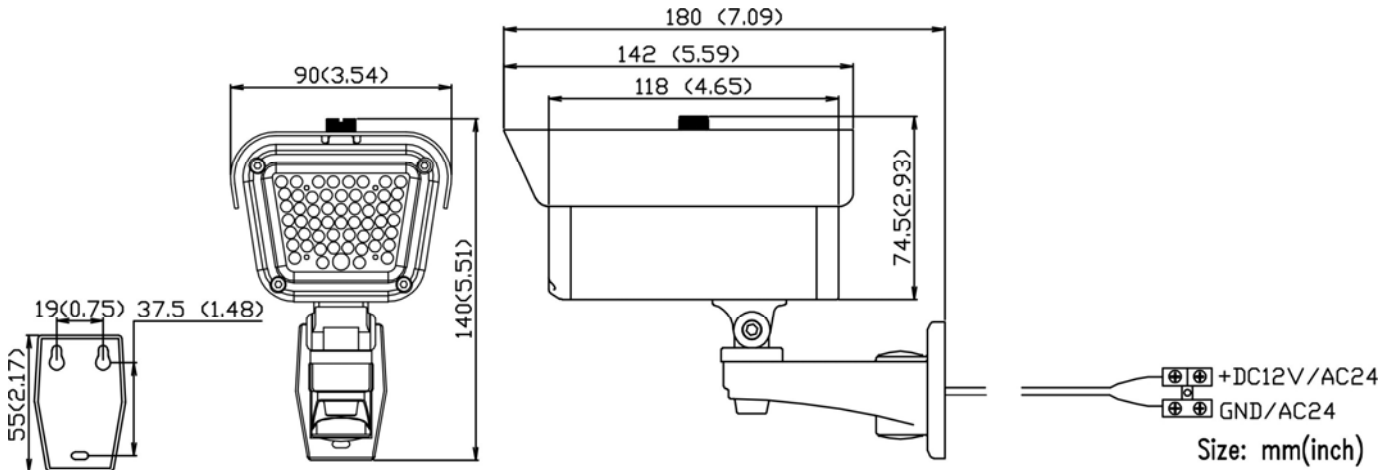


INFRARED LED ILLUMINATOR

● **ITEM NO.: 15-IL02**



● **FUTURES**

1. IP66 aluminum fashion housing
2. Build-in **55 PCs IR LED**
3. IR Effect Degree is 60°(Outdoor)
4. IR Effect Distance is **55M (180.3ft) (Outdoor)**
5. Dual power :DC12V/AC24V

● **PACKING**

- | | |
|---------------------------|-----|
| 1. Illuminator | X 1 |
| 2. User Manual | X 1 |
| 3. Hexagonal Wrench | X1 |
| 4. Screw | X3 |
| 5. Plastic-Conical-Anchor | X3 |
| 6. Mounting drawing paper | X1 |

● **SPECIFICATIONS**

ITEM	15-IL02
Type	Outdoor
Luminaire	850nm IR
Angle	60°(Outdoor)
Emissive Power	8.8W
Outdoor Distance	55M (180.3ft) (Outdoor)
Control	CDS/10Lux
Power supply	DC12V±10%/AC24V±10%
Current Consumption	DC380mA/ AC500mA(MAX)
Dimension	180×140×90mm(7.09"×5.51"× 3.54")
Weight	750g (26.5oz)
Storage Temperature	-30~+60°C (-22~+140°F)
Operating Temperature	-30~+40°C (-22~+104°F)